



# BS 15500, 15750, & 15900

1 1/2" poly by 1/2" FPT

1 1/2" poly by 3/4" FPT

1 1/2" poly by Swing Pipe Barb

## Dimensions (installed):

### BS 1590P:

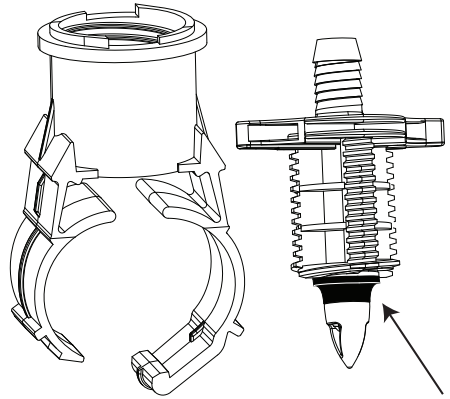
- 4.80 inches - bottom of saddle to top of swing pipe barb
- 2.75 inches - top of pipe to top of swing pipe barb
- 2.60 inches at widest point

### BS 1575P & 1550P:

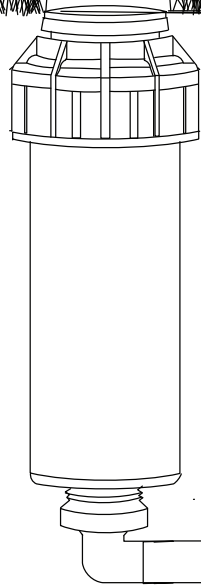
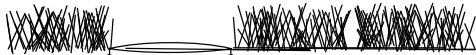
- 3.96 inches - bottom of saddle to top of spike
- 1.86 inches - top of pipe to top of spike
- 2.60 inches at widest point

- For use on 1 1/2" Class 160 & 200 PVC pipe\*
- 7 Gallons per minute at 40 PSI
- 12 Gallons per minute at 60 PSI
- Rubber grommet seals spike to pipe
- Friction loss equivalent of 3 ft of pipe
- Withstands repeated freeze/thaw cycles and ground shift & sheering
- Made of high grade ABS material
- Tested to over 1 million on/off cycles without a leak

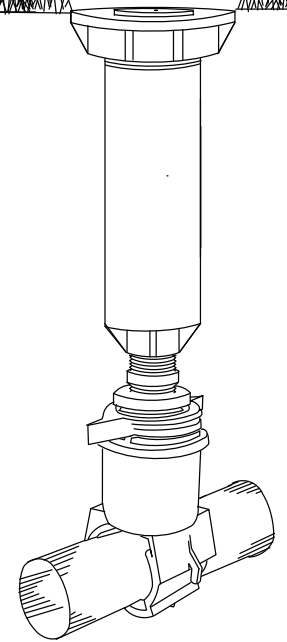
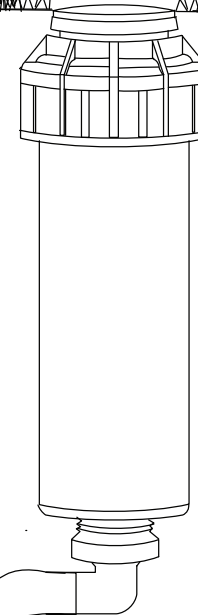
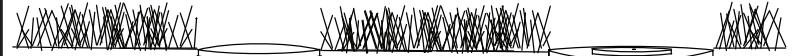
\*Withstands over 900 PSI without a leak. Pipe will burst first.



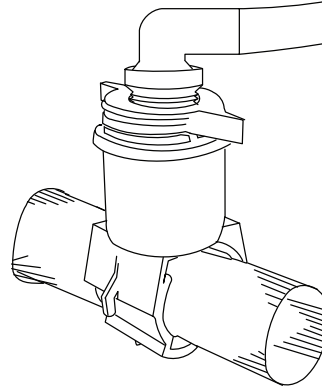
Rubber Grommet seals spike to pipe



BS 1590P should be mounted horizontal



BS 1575P with 3/4" to 1/2" Riser Application



BS 1550P with Swing Pipe Fitting Application

## PACKAGING QTYS.

PART	OUTLET	PACKAGE	CARTON (MIN ORDER)
BS 1550P	1/2" FPT	10	100
BS 1575P	3/4" FPT	10	100
BS 1590P	Swing Pipe Barb	10	100