



# BS 15500, 15750, & 15900

1 1/2" poly by 1/2" FPT

1 1/2" poly by 3/4" FPT

1 1/2" poly by  
Swing Pipe Barb

## Dimensions (installed):

### BS 15900:

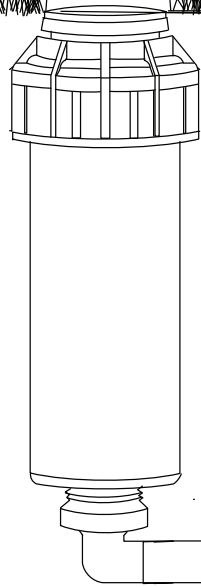
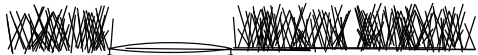
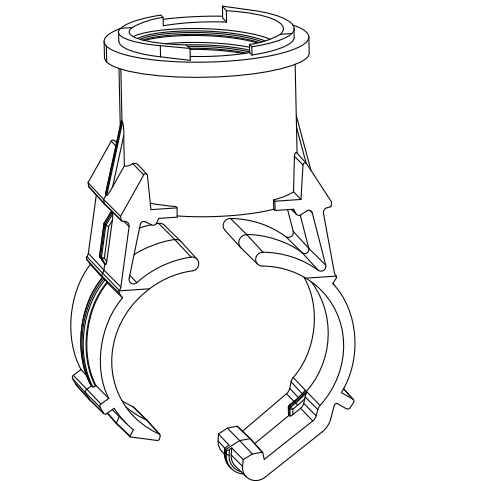
- 4.85 inches - bottom of saddle to top of swing pipe barb
- 2.75 inches - top of pipe to top of swing pipe barb
- 2.60 inches at widest point

### BS 15750 & 15500:

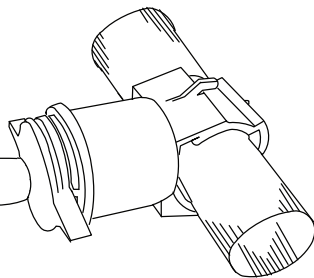
- 3.96 inches - bottom of saddle to top of spike
- 1.86 inches - top of pipe to top of spike
- 2.60 inches at widest point

- For use on 1 1/2" 80# or 100# polyethylene pipe\*
- 7 Gallons per minute at 40 PSI
- 12 Gallons per minute at 60 PSI
- 40% less friction loss than insert fittings
- Friction loss equivalent of 3.8 ft of pipe
- Withstands repeated freeze/thaw cycles and ground shift & sheering
- Made of high grade ABS material
- Tested to over 1 million on/off cycles without a leak

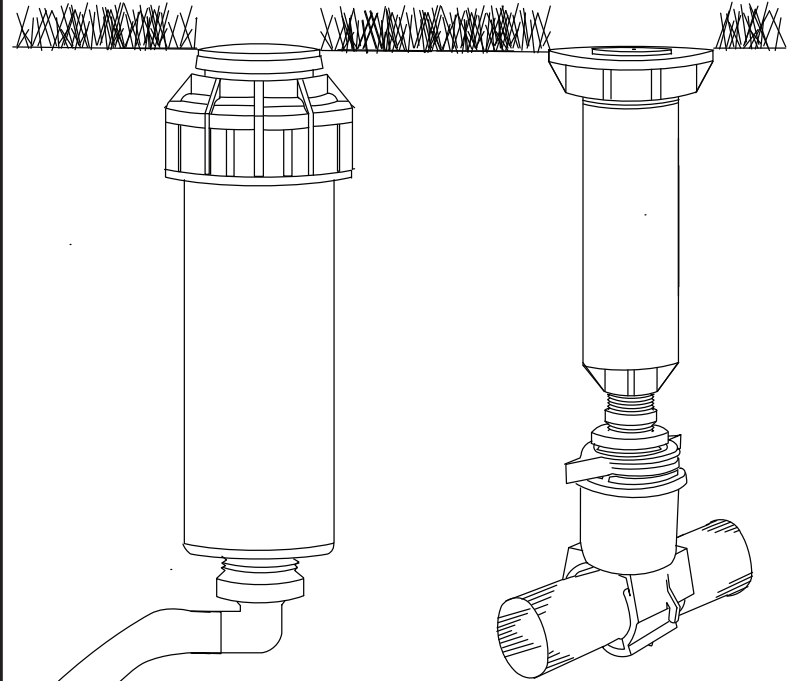
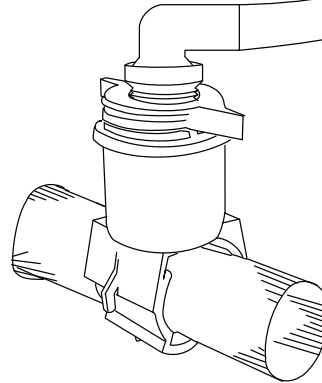
\*Withstands over 400 PSI without a leak. Pipe will burst first.



BS 15900 should be mounted horizontal



BS 15500 with Swing Pipe Fitting Application



BS 15750 with 3/4" to 1/2" Riser Application

## PACKAGING QTYS.

PART	OUTLET	PACKAGE	CARTON (MIN ORDER)
BS 15500	1/2" FPT	10	100
BS 15750	3/4" FPT	10	100
BS 15900	Swing Pipe Barb	10	100