



BS 7000, 8000, & 9000

1" poly by 1/2" FPT

1" poly by 3/4" FPT

1" poly by Swing Pipe Barb

Dimensions (installed):

BS 9000:

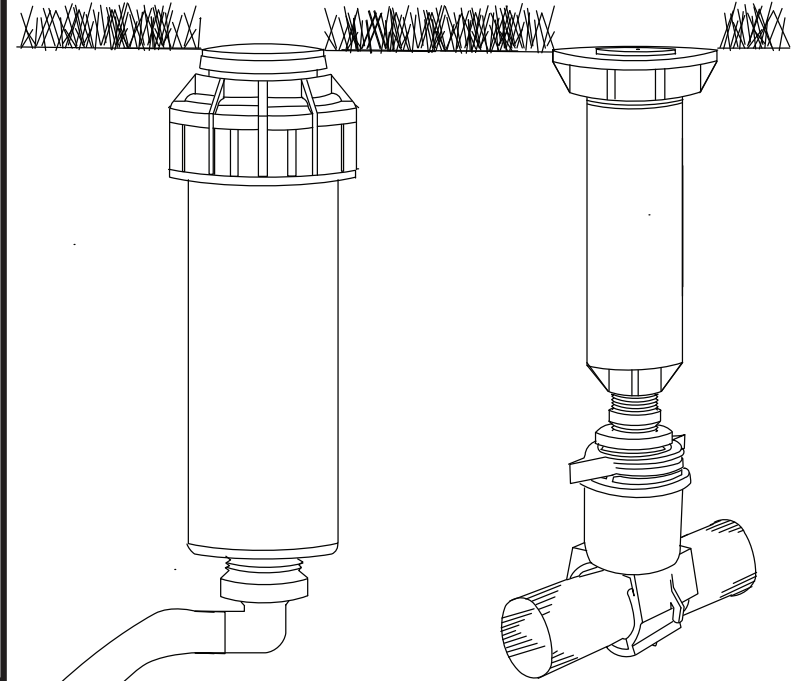
- 4.1 inches - bottom of saddle to top of swing pipe barb
- 2.75 inches - top of pipe to top of swing pipe barb
- 2.60 inches at widest point

BS 7000 & 8000:

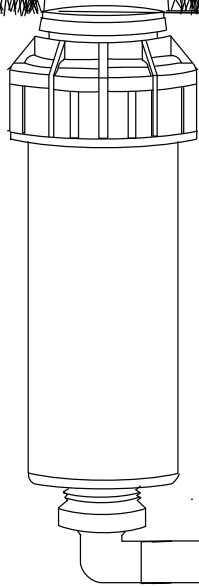
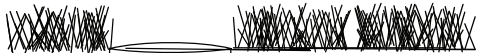
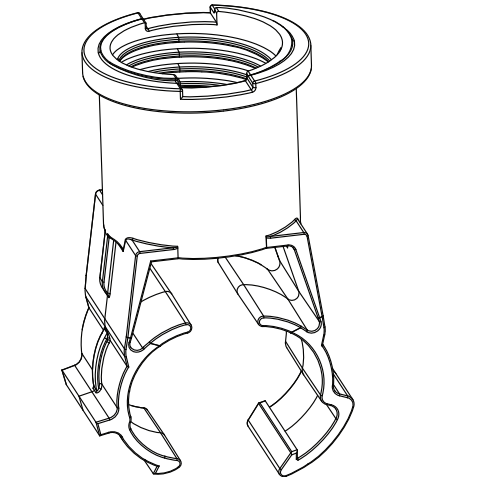
- 3.21 inches - bottom of saddle to top of spike
- 1.7 inches - top of pipe to top of spike
- 2.60 inches at widest point

- For use on 1" 80# or 100# polyethylene pipe*
- 7 Gallons per minute at 40 PSI
- 12 Gallons per minute at 60 PSI
- 40% less friction loss than insert fittings
- Friction loss equivalent of 3.8 ft of pipe
- Withstands repeated freeze/thaw cycles and ground shift & sheering
- Made of high grade ABS material
- Tested to over 1 million on/off cycles without a leak

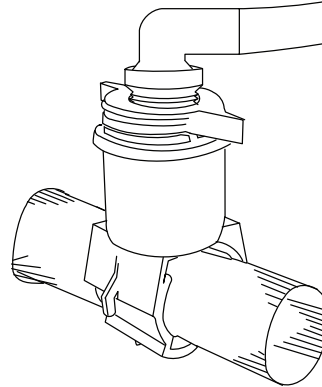
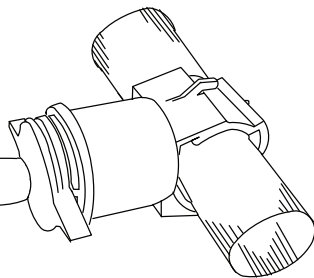
*Withstands over 400 PSI without a leak. Pipe will burst first.



BS 8000 with 3/4" to 1/2" Riser Application



BS 9000 should be mounted horizontal



BS 7000 with Swing Pipe Fitting Application

PACKAGING QTYS.

PART	OUTLET	PACKAGE	CARTON (MIN ORDER)
BS 7000	1/2" FPT	25	250
BS 8000	3/4" FPT	25	250
BS 9000	Swing Pipe Barb	25	250