



BS 4PVC, 5PVC, & 6PVC

3/4" PVC by Swing Pipe Barb 3/4" PVC by 1/2" FPT 3/4" PVC by 3/4" FPT

Dimensions (installed):

BS 4PVC:

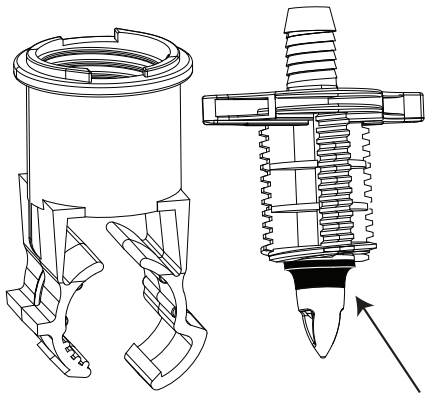
- 4.0 inches - bottom of saddle to top of swing pipe barb
- 2.75 inches - top of pipe to top of swing pipe barb
- 2.60 inches at widest point

BS 5PVC & 6PVC:

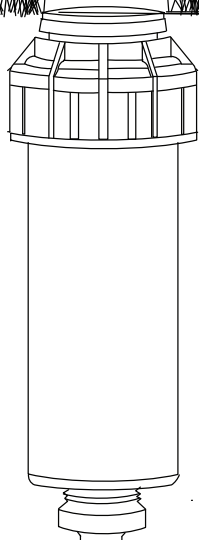
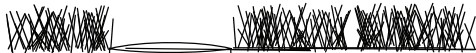
- 3.13 inches - bottom of saddle to top of spike
- 1.7 inches - top of pipe to top of spike
- 2.60 inches at widest point

- For use on 3/4" Class 160 or 200 PVC pipe*
- 7 Gallons per minute at 40 PSI
- 12 Gallons per minute at 60 PSI
- Rubber grommet seals spike to pipe.
- Friction loss equivalent of 3 ft of pipe
- Withstands repeated freeze/thaw cycles and ground shift & sheering
- Made of high grade ABS material
- Tested to over 1 million on/off cycles without a leak

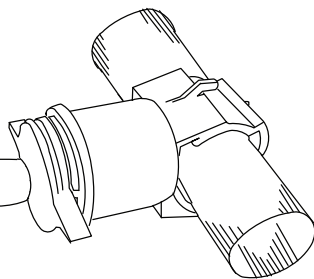
*Withstands over 900 PSI without a leak. Pipe will burst first.



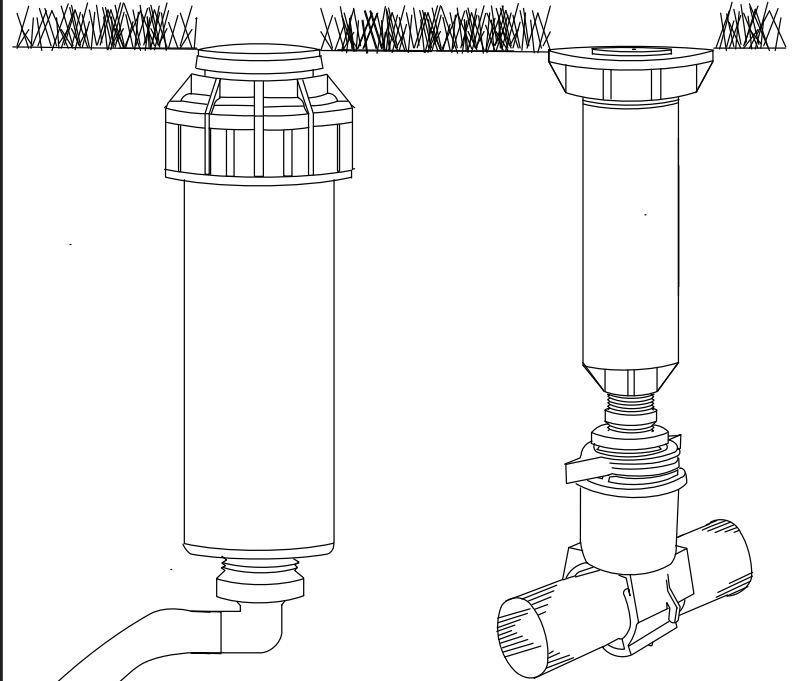
Rubber Grommet seals spike to pipe



BS 4PVC should be mounted horizontal



BS 5PVC with Swing Pipe Fitting Application



BS 6PVC with 3/4" to 1/2" Riser Application

PACKAGING QTYS.

PART	OUTLET	PACKAGE	CARTON (MIN ORDER)
BS 4PVC	Swing Pipe Barb	25	250
BS 5PVC	1/2" FPT	25	250
BS 6PVC	3/4" FPT	25	250