



BS 3350, 3375, & 3390

32mm poly by 1/2" FPT 32mm poly by 3/4" FPT 32mm poly by Swing Pipe Barb

Dimensions (installed): for pipe with 32mm OD

BS 3390:

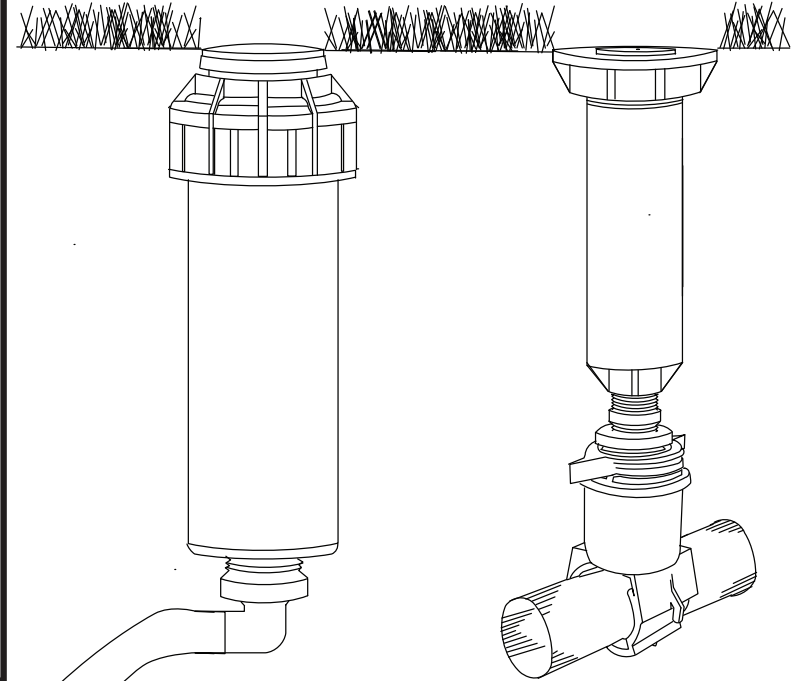
- 110 mm - bottom of saddle to top of swing pipe barb
- 69mm - top of pipe to top of swing pipe barb
- 66mm at widest point

BS 3350 & 3375:

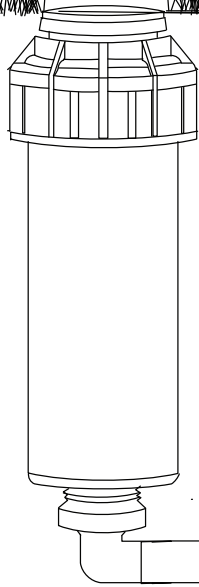
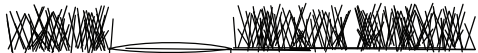
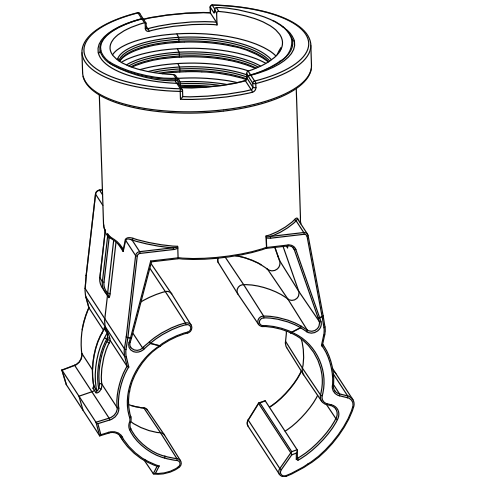
- 87mm - bottom of saddle to top of spike
- 45mm - top of pipe to top of spike
- 66mm at widest point

- For use on 33mm polyethylene pipe*
- 7 Gallons per minute at 40 PSI
- 12 Gallons per minute at 60 PSI
- 40% less friction loss than insert fittings
- Friction loss equivalent of 3.8 ft of pipe
- Withstands repeated freeze/thaw cycles and ground shift & sheering
- Made of high grade ABS material
- Tested to over 1 million on/off cycles without a leak

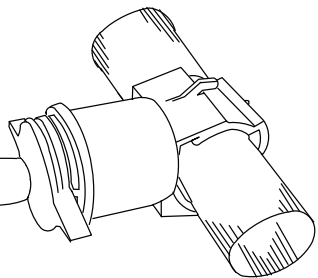
*Withstands over 400 PSI without a leak. Pipe will burst first.



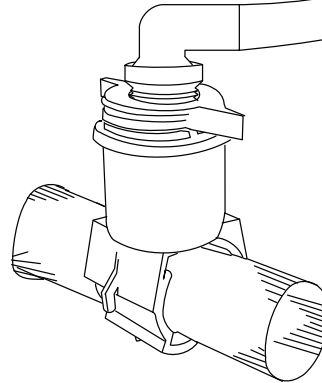
BS 3375 with 3/4" to 1/2" Riser Application



BS 3390 should be mounted horizontal



BS 3350 with Swing Pipe Fitting Application



PACKAGING QTYS.

PART	OUTLET	PACKAGE	CARTON (MIN ORDER)
BS 3350	1/2" FPT	25	250
BS 3375	3/4" FPT	25	250
BS 3390	Swing Pipe Barb	25	250