

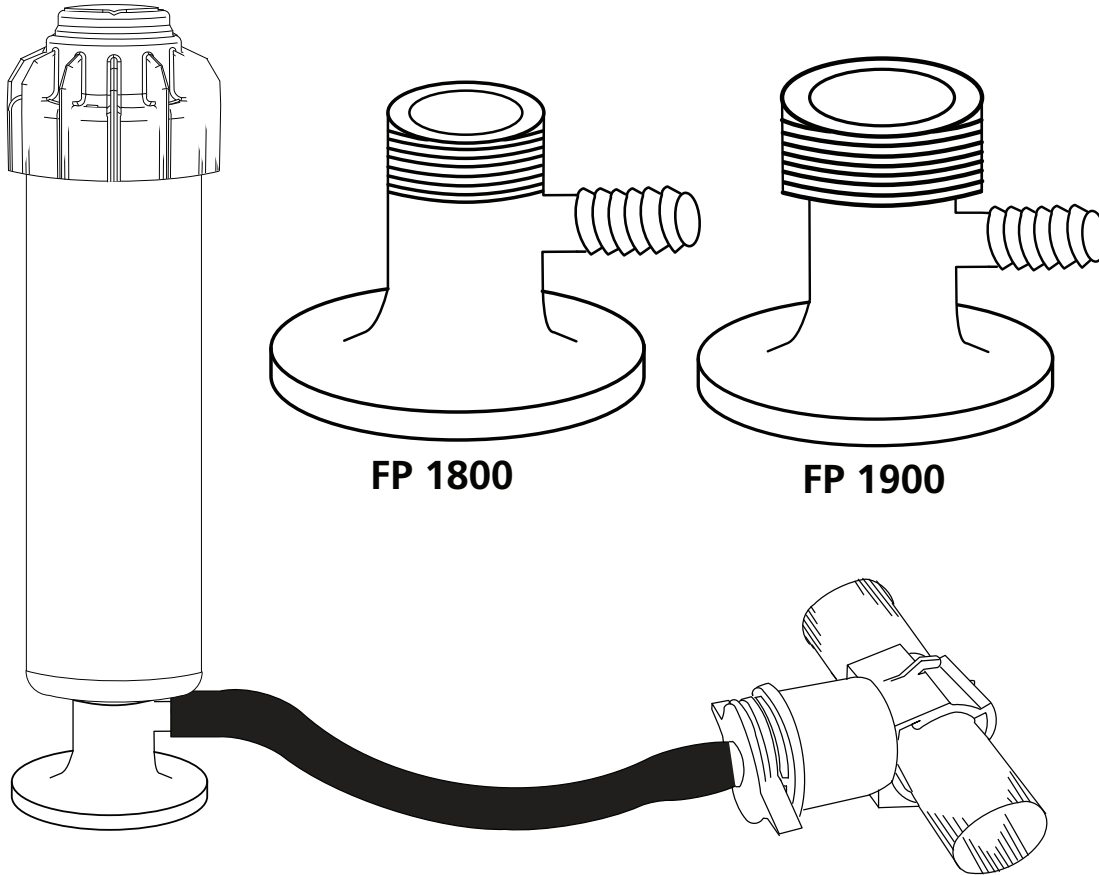


FP 1800

1/2" MPT X Swing Pipe Barb

FP 1900

3/4" MPT X Swing Pipe Barb

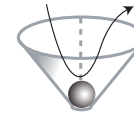


FP 1800

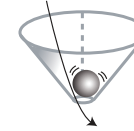
FP 1900

- Withstands 1500 PSI of Static Pressure
- **Do Not Use Pipe Dope During Assembly** (Thread Tape Only)
- Ball Valve Seals Above 10-15 PSI
- Ball Valve Releases Below 10-15 PSI
- No Gravel Pit Required to Aid Drainage
- Made of High Grade ABS Material

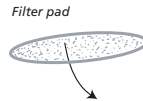
Exclusive patented ball-valve design drains more gradually than competing drains:



The interior waterway is funnel-shaped. As the irrigation system is pressurized, a precision-ground EPDM ball "dances" in the water flow, creating the drain's characteristic **turbulent flushing action** - flushing out any sediment as the valve closes.

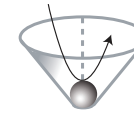


When the irrigation system pressure is off, the EPDM ball is raised up on three ridges inside the funnel, and water is gradually released.



Filter pad
Drains directly to soil - no gravel sump necessary

Released water passes through the patented recessed wicking pad as the soil and plant material absorb the water. The recessed wicking pad - non-woven polyester - protects the drain from rocks and roots.



System pressure resumes. Ball reseats in new orientation - a natural benefit of using a sphere - and drain valve closes. No diaphragm to wear, and guaranteed performance for the life of the sprinkler system.

Valve gradually releases water - avoiding soggy patches in grass.

PACKAGING QTYS.

PART	PACKAGE	CARTON	MIN. ORDER
FP 1800	10	500	10
FP 1900	10	500	10