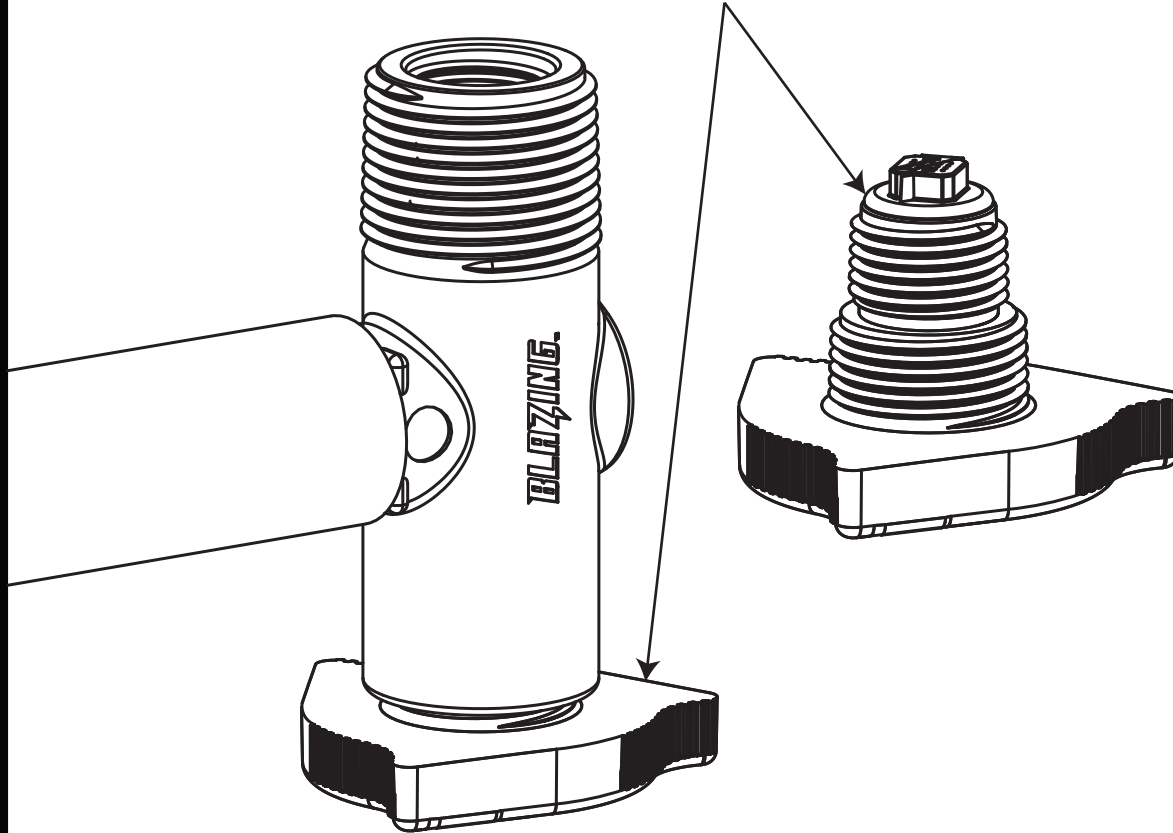




OD-1

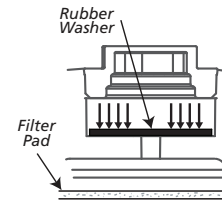
1/2" and 3/4" Male all Purpose Drain

OD-1 DRAIN

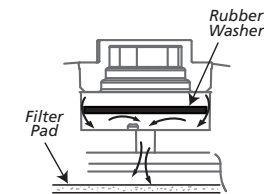


- Withstands 3000 PSI of Static Pressure
- Do Not Use Pipe Dope During Assembly (ThreadTape Only)
- Rubber Washer Seals Above 10-15 PSI
- Rubber Washer Releases Below 10-15 PSI
- No Gravel Pit Required to Aid Drainage
- Made of High Grade ABS Material

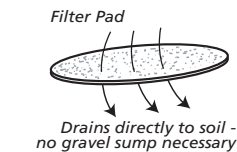
Exclusive patented rubber washer design drains more gradually than competing drains:



As the irrigation system is pressurized, the rubber washer pushes down and shuts off water flow through drain.



When the irrigation system pressure is off, the rubber washer raises up and water is gradually released.



Released water passes through the patented recessed wicking pad as the soil and plant material absorb the water. The recessed wicking pad - non-woven polyester - protects the drain from rocks and roots.

Valve gradually releases water - avoiding soggy patches in grass.

PACKAGING QTYS.

PART	PACKAGE	CARTON	MIN. ORDER
OD-1	25	400 or 800	25