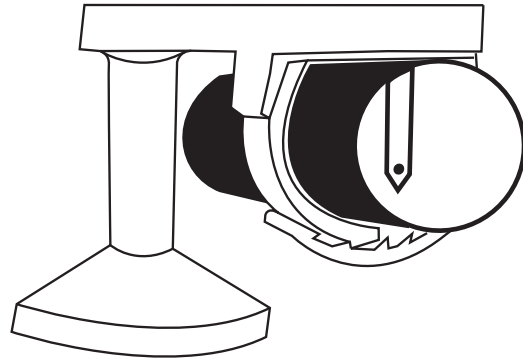
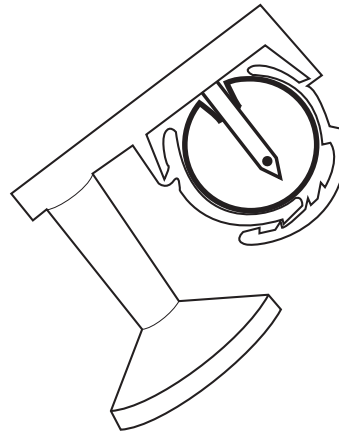


SD 1000

Blazing Siphon Drain



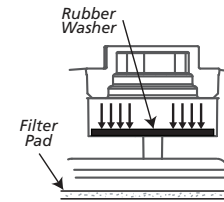
SD 1000 mounted on poly pipe



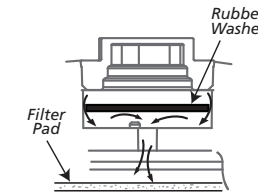
SD 1000 mounted on 45° Angle

- Self-pierces, Self-seals, and clamps onto poly pipe
- Drill a 3/8" (10 mm) Hole for PVC and Thick Wall Poly (rubber grommet required)
- Rubber Washer Seals Above 10-15 PSI
- Rubber Washer Releases Below 10-15 PSI
- No Gravel Pit Required to Aid Drainage
- Made of High Grade ABS Material
- Siphon Drain Can Also Be Mounted at a 45° Angle

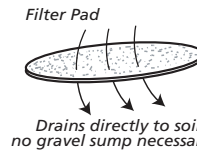
Exclusive patented rubber washer design drains more gradually than competing drains:



As the irrigation system is pressurized, the rubber washer pushes down and shuts off water flow through drain.



When the irrigation system pressure is off, the rubber washer raises up and water is gradually released.



Released water passes through the patented recessed wicking pad as the soil and plant material absorb the water. The recessed wicking pad - non-woven polyester - protects the drain from rocks and roots.

Valve gradually releases water - avoiding soggy patches in grass.

PACKAGING QTYS.

PART	PACKAGE	CARTON	MIN. ORDER
SD 1000	25	200	25